

F90A Self-Contained Electronic Commercial Air Cleaners

SPECIFICATION DATA



FEATURES

- Removes staining dirt from the air, as measured by the Initial Dust Spot Method using atmospheric dust; refer to the American Society of Heating, Refrigerating, and Air Conditioning Engineers (ASHRAE) Standard 52.1-92.
- Three-speed fan circulates up to 1250 cfm (35 cu m/minute).
- Solid state power supply is self-regulating, maintains peak efficiency over a wide range of cell dirt-loading conditions, and provides nonlethal current levels.
- Interlock switch prevents operation when cover is open or grille is not in place.
- Heavy-duty commercial cells, prefilter, and grille are removable for cleaning.
- Three-position adjustable discharge louvers control direction of discharged air.
- Light-emitting diodes (LED) indicate ON and CHECK; WASH LED optional.

APPLICATION

The F90A Self-Contained Electronic Commercial Air Cleaner is ceiling-mounted and removes airborne contaminants such as tobacco and cooking smoke, dust, and pollen from the air circulated through the unit.

The F90 provides Coanda air distribution by drawing in dirty air from below, cleaning it electronically, and discharging the clean air in four directions parallel with the ceiling.

SPECIFICATIONS

Model:

F90A Self-Contained Commercial Electronic Air Cleaner: Contains two FC37B heavy-duty commercial cells, a power supply assembly, two prefilters, cover with grille, a power and speed control switch, a performance selection switch, a test button, a three-speed motor driven fan, an interlock switch for the cover and grille, a power cord, and LED indication of system operation.

Finish:

Available in gray or woodgrain with black trim.

F90A SELF-CONTAINED ELECTRONIC COMMERCIAL AIR CLEANERS

Electrical Ratings:

Voltage: 120 Vac, 60 Hz or 220/240 Vac, 50 Hz (specify when ordering).

Current and Power Consumption:

Model	Fan Setting	Current (A)	Power (W)
F90A, 120 Vac, 60 Hz	HI	2.6	270
	MED	2.0	215
	LOW	1.8	185
F90A, 220/240 Vac, 50 Hz	HI	1.4	270
	MED	1.0	215
	LOW	0.8	185

Airflow Capacity:

Fan Setting	cfm	cu m/minute
HI	1250	35.0
MED	1020	29.0
LOW	800	23.0

Efficiency:

Up to 92% efficient on 0.5 micron and larger particles using the Initial Dust Spot Method to measure atmospheric dust; refer to the American Society of Heating, Refrigerating, and Air Conditioning Engineers (ASHRAE) Standard 52.1-92

Ambient Temperature Rating:

Shipping and Storage: -20°F to +120°F (-29°C to +49°C).

Operating: The F90 is intended for use at ambient temperatures that usually are not higher than 90°F (32°C), but may be as high as 120°F (49°C), for brief periods.

Overall Dimensions:

See Fig. 1.

Shipping and Installation Weight:

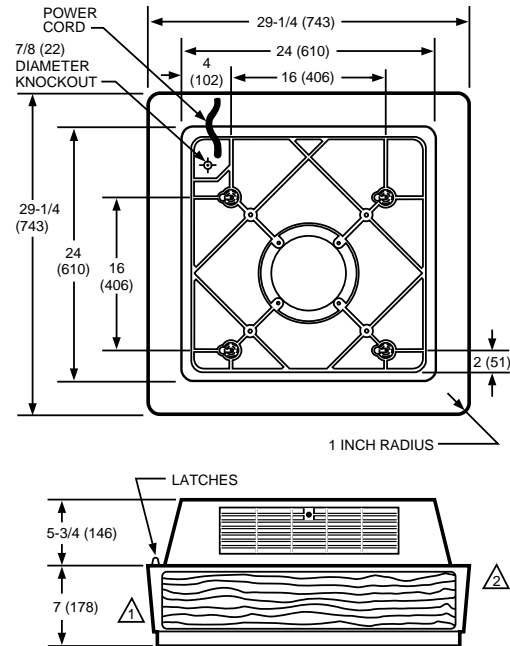
	lb	kg
Heavy duty commercial cell	9.2 (each)	4.2 (each)
Shipping Weight	70.0	31.5
Installed Weight	65.0	29.5

Approvals:

Underwriters Laboratories Inc. Listed: File no. E30954, Guide no. AGGZ (120 Vac units only).

Canadian Standards Association Certified: File no. LR19060 (120 Vac units only).

US FCC Class B Limits for RFI, Computing Devices Rules, Canadian EMI Standard.



- 1 ALLOW AT LEAST 16 INCHES (406 MILLIMETERS) FROM FRONT OF F90 TO WALL FOR INSTALLATION AND REMOVAL OF CELLS.
- 2 ALLOW AT LEAST 9 INCHES (229 MILLIMETERS) FROM BACK OF F90 TO WALL FOR REMOVAL OF COVER.

M1530

Fig. 1. F90A installation dimensions in in. (mm).

Honeywell Commercial Air Products

NBC Products, Inc.
16873 Fish Point Rd. SE
Prior Lake, MN 55372-1714
Phone: (800) 998-1919
Fax: (800) 221-3248

Honeywell

The Honeywell trademark is used under license from Honeywell Intellectual Properties, Inc. by NBC Products, Inc.