

# Smokemaster® M68V HEPA Air Cleaner

## Specifications:

- Dimensions:** 40.25"L x 31"H x 65"W
- Weight:** 422 lbs. installed (filters loaded)  
485 lbs. shipping weight
- Cabinet:** 16 gauge welded steel cabinet with baked enamel textured coated finish. Built-in sump and drain connection for oil mist removal. Four heavy duty swivel casters.
- Power Input:** 120 VAC, 60 Hz, 1Ø, 17.2 Amps  
208 VAC, 60 Hz, 1Ø, 8.8 Amps  
220-240 VAC, 60 Hz, 1Ø, 8.6 Amps  
3 Ø and 50 Hz models available
- Motor:** 1.5 HP totally enclosed fan cooled, sealed ball bearing motor. Adjustable motor sheave allows for field airflow adjustment.
- Blower:** Blower and motor capable of 1900 CFM
- FACTORY SET CFM:**  
One Arm Model: 1100 CFM / Arm  
Two Arm Model: 550 CFM / Arm
- Dirty Filter Gauge:** Factory installed pressure gauge designed to determine filter replacement cycle.
- Power Cord:** Ten foot power cord with standard molded plug on single phase models.

## Filter Capacity:

High efficiency filter (HEPA) 99.97 DOP rated at 1100 CFM. Each Filter is certified to have a minimum efficiency of no less than 99.97% when tested on 3 micron particles.

## Noise Levels:

Distance in Feet

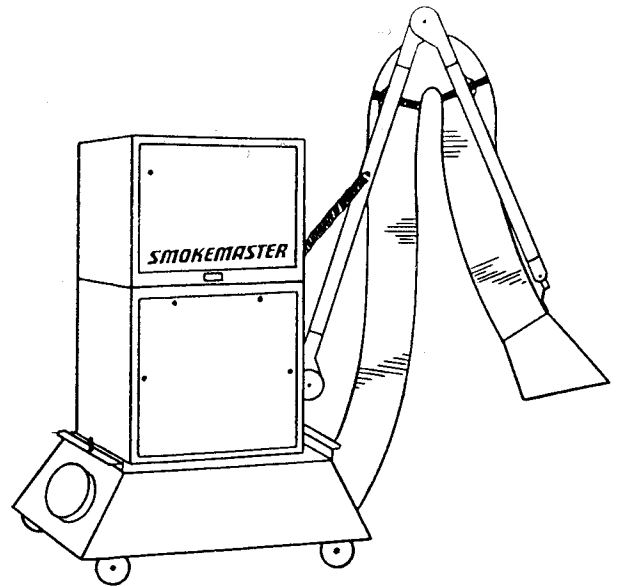
9 feet	74 dBa
15 feet	72 dBa

Air Quality Engineering Inc. has a policy of continuing product improvement and reserves the right to make changes in design and specification without notice.

## SMOKEMASTER®

**Air Quality Engineering, Inc.**  
3340 Winpark Drive, Minneapolis, Minnesota 55427-2083  
Telephone: (612) 544-4426, FAX: (612) 544-4013  
**Toll Free: 1-800-328-0787**

10/91 Printed in U.S.A.



The M68V is designed for high efficiency source capture filtration with mobility.

## UNIT INCLUDES:

- 99.97% HEPA FILTER
- ONE EXTERNALLY SUPPORTED 10' ARM WITH 8" DIAMETER FLEXIBLE HOSE WITH HOOD.
- 1.5 HP MOTOR
- 35% 2" PLEATED PREFILTER
- 36 MONTH PARTS WARRANTY

METRIC CONVERSION	FORMULA
Ins. to mm	Ins. x 25.4
Lbs. to kgs.	Lbs x .455
Ins. w.g. to kPa	Inc. w.g. x .2488
CFM to M <sup>3</sup> /h	CFM X 1.6992
Ft <sup>2</sup> to m <sup>2</sup>	Ft <sup>2</sup> x .0929